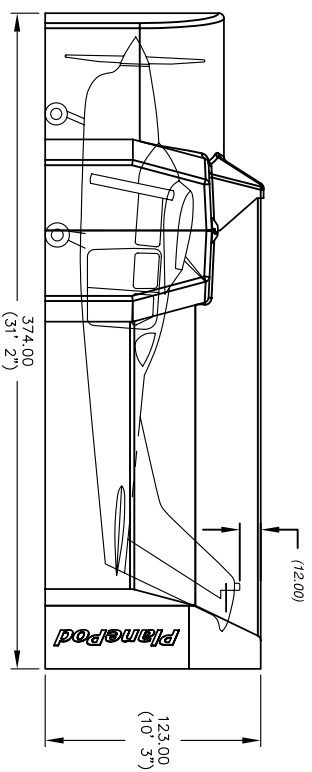


- NOTES:
1. THIS DRAWING IS INTENDED FOR DESIGN EVALUATION ONLY & NOT INTENDED FOR FABRICATION!
  2. REFERENCE/CLEARANCE DIMENSIONS (XX) ARE APPROXIMATE ONLY & BASED ON CESSNA 206



UNLESS OTHERWISE SPECIFIED		NEXT ASSY		<b>KZ ENGINEERING</b> PLANEPD 5.2 DESIGN VERIFICATION ONLY	
FRACIT	-	DRAWN BY	DATE		
XXX	4.03	BK	16OCT09	B	0908-S005
ANGLES	4.5°	CHECKED BY	DATE	REV	SHEET
SURFACES	N/Y			1	1
DIMENSIONS IN INCHES		SCALE	PLOT		
		NONE	1=1		